

UMK-SE 11,25

Order No.: 2970002

The illustration shows a combination of versions UMK SE 11,25, UMK BE 11,25,- 22,5, -45 and UMK-FE



<http://eshop.phoenixcontact.de/phoenix/treeViewClick.do?UID=2970002>

Universal module, comprising: Side element, 11.25 mm wide, with marker groove

Commercial data

EAN	4017918087531
Pack	10 Pcs.
Customs tariff	85369010
Weight/Piece	0.006396 KG
Catalog page information	Page 566 (CC-2007)

Product notes

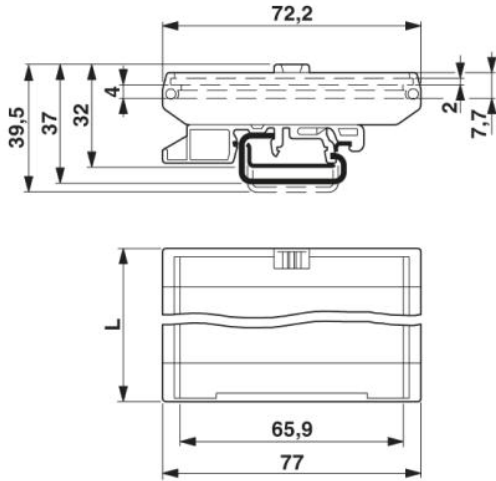
WEEE/RoHS-compliant since:
01/01/2003



<http://www.download.phoenixcontact.com>
Please note that the data given here has been taken from the online catalog. For comprehensive information and data, please refer to the user documentation. The General Terms and Conditions of Use apply to Internet downloads.

Drawings

Dimensioned drawing



Address

PHOENIX CONTACT Inc., USA
586 Fulling Mill Road
Middletown, PA 17057, USA
Phone (800) 888-7388
Fax (717) 944-1625
<http://www.phoenixcon.com>



© 2008 Phoenix Contact
Technical modifications reserved;